



DATASHEET

TubeStand

Compatible with:
AX1 PixelTube, FP1 TitanTube, FP2 HeliosTube



Metal Stand to stand the AX1, FP1 and FP2 upright onto stages, at entrances or behind fabric etc.

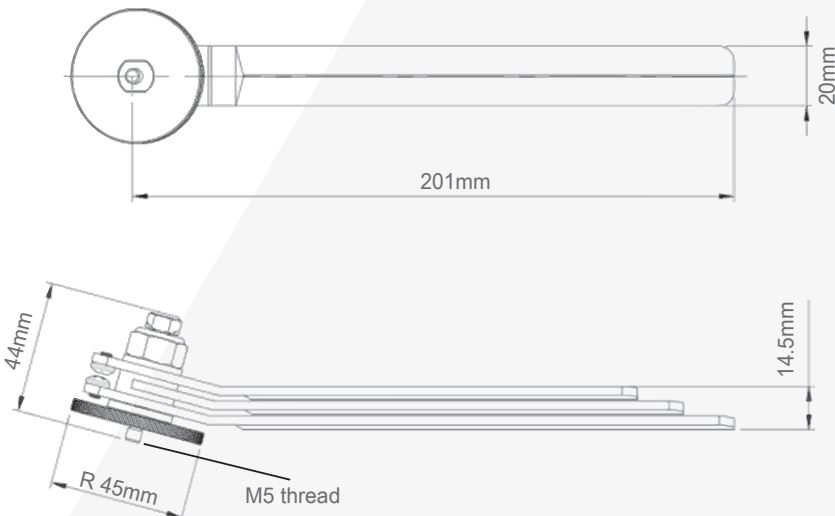
Stand folded



SPECIFICATIONS

Order Code	AX1-STD
Dimensions folded (mm/inch)	44mm x 20mm x 220mm
Dimensions unfolded (mm/inch)	44.20mm x 441.6mm
Thread	M5
Weight (kg/lbs)	0.31 / 0.68
Material	Stainless Steel

DRAWINGS



USE CASES

Stand with Tube mounted

